

Team Name:

Artist:

MUSETTE BAG

Pantones:



PMS ___



PMS ___



PMS ___



PMS ___



PMS ___



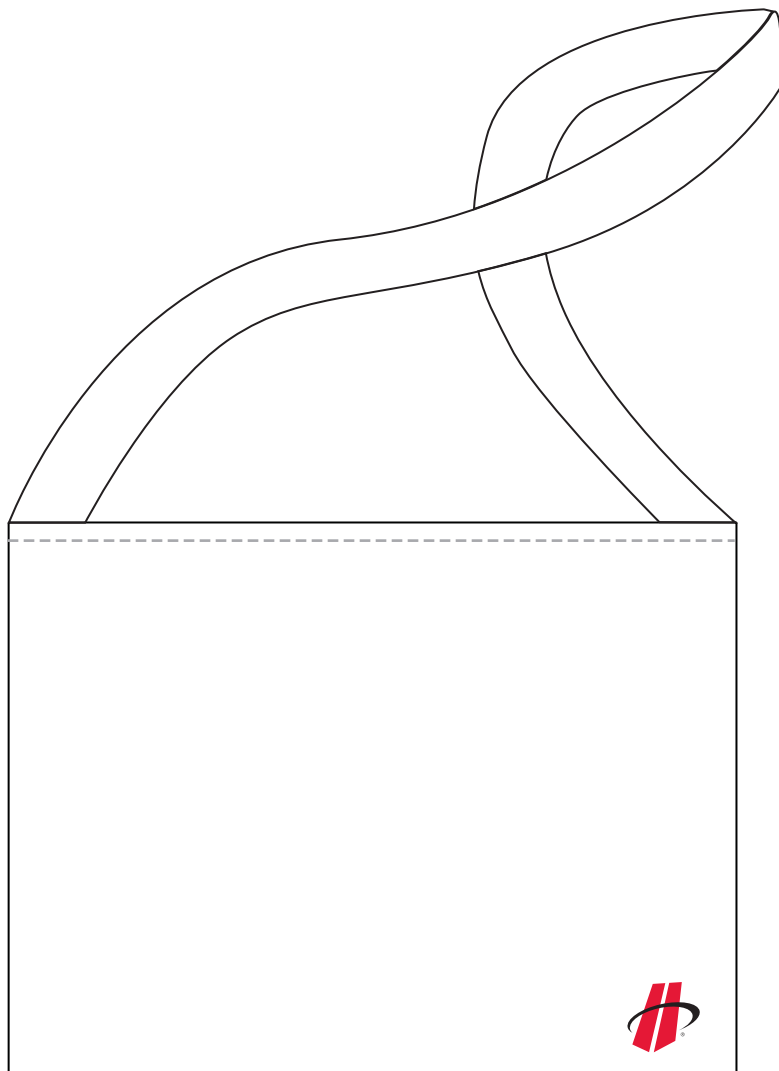
PMS ___



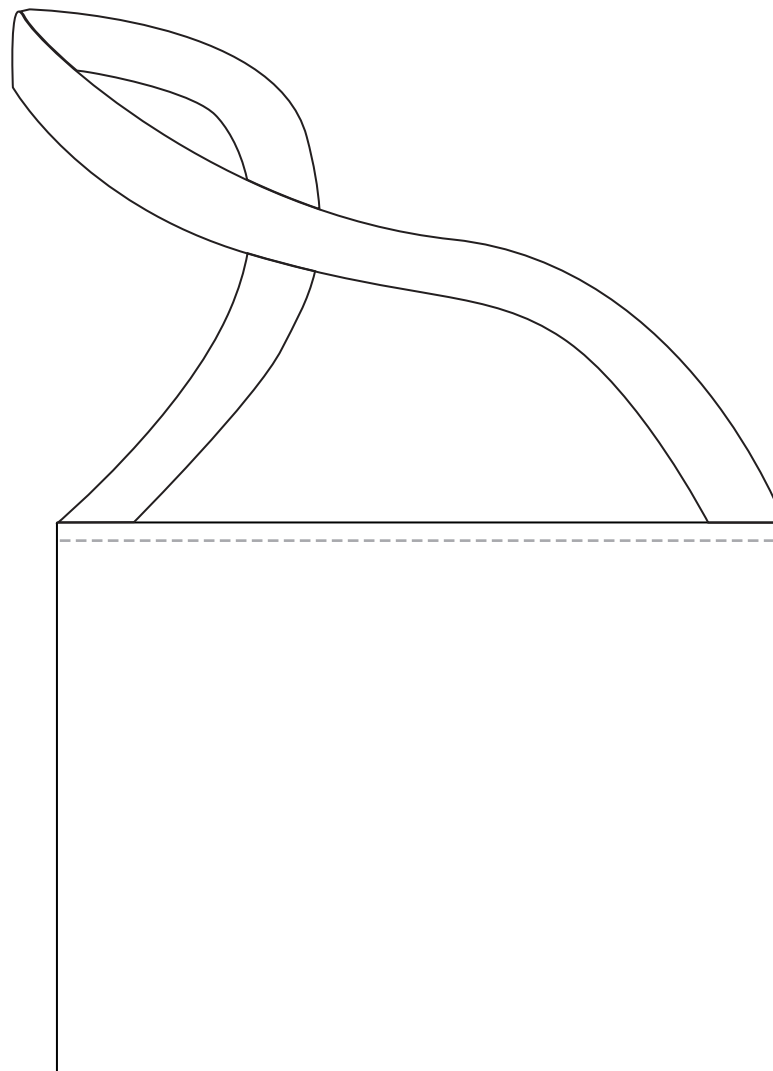
PMS ___



PMS ___



FRONT



BACK

